

SSR80C | SSR130C

SANY

Quality Changes the World



MAKE THE RIGHT IMPRESSION

COMPACTION: OUTSTANDING. ECONOMY: CONVINCING.

CONSTRUCTION MACHINERY



SINGLE DRUM COMPACTORS

SSR80C
SSR130C

Engine
YANMAR / DEUTZ
Centrifugal force
132 kN / 280 kN
Working width
1 676 mm / 2 130 mm
Weight
7 330 kg / 13 000 kg

For challenging tasks, you need a first-class partner

First-class quality comes from experience - it's no wonder that this is one of SANY's most important success factors. Today, we are one of the leading roller manufacturers, producing over **50,000** rollers a year. This means that you benefit from well engineered products with an impressive track record – products that you can rely on. An impressive **5–7%** of our annual turnover is dedicated to research and development. This is why we give you not only our word, but also our extraordinary **five-year warranty** as a guarantee of how powerful and robust our products are.

50 000
ROLLERS SOLD
WORLDWIDE

5–7%
REVENUE FOR RESEARCH
AND DEVELOPMENT

5 YEARS'
WARRANTY*

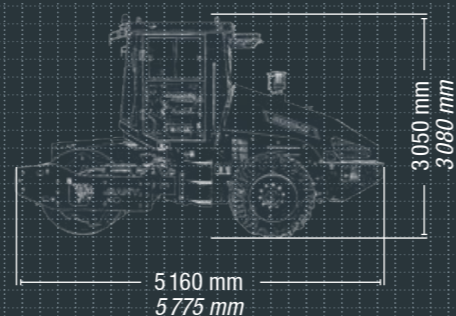
Quality Changes the World

SSR80C | SSR130C HARD FACTS

Transport height
3 050 mm
3 080 mm

Overall width
1 830 mm
2 285 mm

Max. speed
11.5 km/h
11.3 km/h



PREPARED FOR ANY COMPACTION TASK

SANY single drum compactors in the 8 to 13 tonne weight class impress with their outstanding compaction performance and exemplary reliability. They are used in medium to large construction projects around the world: as a standard version, particularly for compacting hydraulically bound materials, sand, gravel, crushed stone and weakly cohesive soils and rocks; with padfoot kits for highly cohesive soils with a high water content, such as loam or clay. Powerful engines with high-torque drives and high-performance vibration systems give SANY single drum compactors the power they need for efficient work and high gradeability.



* Only from participating dealers



QUALITY

Robust and durable – Single drum compactors have to withstand a lot. This is why the SANY SSR80C and SSR130C have a particularly robust design and high-quality workmanship. All essential protective elements and reinforcements as well as access steps and tanks are made of high-quality metal – ideal for demanding applications on construction sites.

RATED POWER

High compaction efficiency – The SSR80C and SSR130C impress with their linear load and amplitude. The 2-stage vibration system with adjustable frequencies achieves optimum compaction results on any ground.

USER EXPERIENCE

Extremely easy to operate – Ease of use equals productivity. To make work even easier, the cab is designed for maximum driving comfort: from effortless boarding to the laterally adjustable, comfortable seat and ergonomically adapted controls.



COMPONENTS

Good as standard – The SSR80 and SSR130 already come with a comprehensive range of equipment as standard. Core components from renowned brand manufacturers, such as drive axles from Dana Spicer, ensure impressive traction and thus high gradeability.

ECONOMY

Economically convincing – When it comes to costs, SANY single drum compactors are the first choice: favourable purchase price, long maintenance intervals and economical consumption in compliance with stage V emissions standards.

SAFETY

No ifs and buts – The cab offers the best all-round visibility, even when reversing. This is due in particular to the compact design with a sloping engine bonnet. A rotating beacon lamp and the seat contact switches are on board as standard.

QUALITY

DESIGNED FOR TOUGH EVERYDAY USE ON CONSTRUCTION SITES

SANY single drum compactors are designed for durability and reliability down to the smallest detail. In addition to robust metal parts for panelling and access steps, all hose guides and brackets are also particularly solid – and offer reliable protection against damage.

Thanks to the bevelled engine tray, even steep slope angles are easy to master. All maintenance-relevant components are easily accessible from the ground thanks to the high opening angle of the engine bonnet.



RATED POWER

Effective compaction

Modern, low-emission Stage V diesel engines provide the necessary power for fast, economical work. The high linear load and choice of two amplitudes, together with the large drum diameter, ensure uniform compaction on all ground. This means you are ideally equipped for all requirements in road and street construction, in residential and industrial construction and for compacting larger areas in dam and dyke construction. The padfoot kits are also an effective option for very cohesive soils.

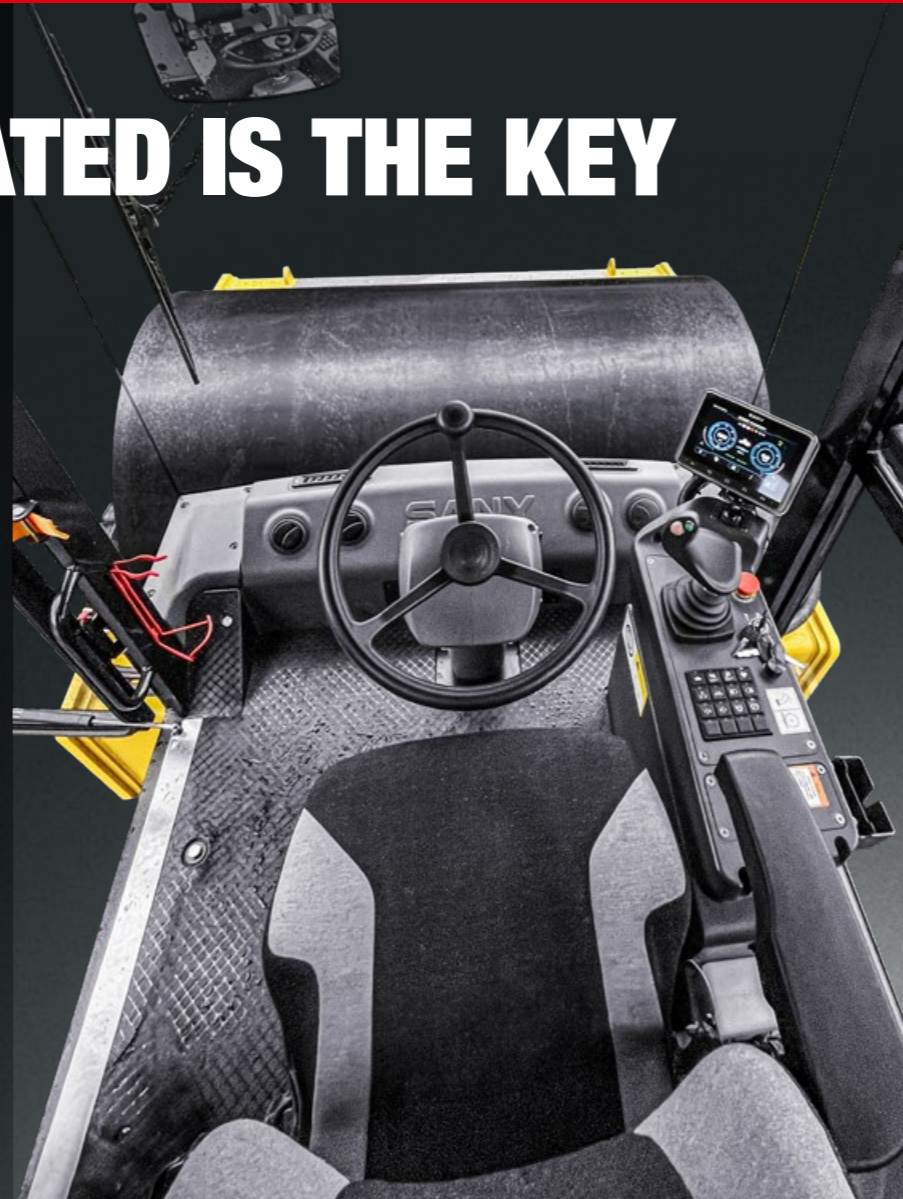


USER EXPERIENCE

UNCOMPLICATED IS THE KEY

The spacious, anti-vibration driver's cab has everything you need to make your operating experience easier and more pleasant. All important information and functions can be called up via the touch-screen display – and all from the comfort of the individually adjustable driver's seat with armrest. The multifunction control lever for sensitive and safe working with the machine is ergonomically positioned within reach.

The standard reversing camera ensures a safe reverse travel. The air conditioning and fixed sunroof ensure pleasant temperatures even in summer – even over hot tarmac. A USB charging socket, a radio and the 12 V socket complete the convenience package.



Our highlights – the added benefits SANY offers you:

- + Precise operation thanks to the multifunction control lever
- + Adjustable amplitude frequencies
- + User-friendly touch display
- + Extensive safety equipment

SAFETY

PROTECTION DOWN TO THE TINIEST DETAIL

The ROPS and FOPS-certified cab reliably protects the driver at his workplace. It can be reached safely via the stable, non-slip steps. The good all-round visibility is optimised by the reversing camera. And if there is no driver on the seat, the roller will not even start to move. Emergency stop switch, battery master switch, reversing alarm and the rotating warning light complete the safety equipment.



COMPONENTS

Convincing performance

You can rely on the proven brand components. Powerful Yanmar and Deutz engines provide the necessary power, while the high-quality axle with self-locking differential ensures good traction and high gradeability.



ECONOMY

Combining performance and efficiency

The SSR80 and SSR130 from SANY inspire users not only on the construction site. The accounts department are also happy, as the rollers keep costs down.

Low purchase costs, low maintenance requirements and reduced expenses for ongoing operation ensure maximum operating time at low overall costs.



Absolute reliability – for peace of mind!

SANY's five-year warranty* gives you the assurance that you can fully count on your equipment.

* With participating partners

ENGINE	80C	130C
Model	Yanmar 4TNV98CT-VSY	Deutz TCD4.1 L4
Type	Water-cooled 4-cylinder diesel	Water-cooled 4-cylinder diesel
Rated power	53.7 kW/2100 rpm	115 kW/2100 rpm
Emission standard	Stage V	Stage V
Fuel	Diesel	Diesel

STEERING	80C	130C
Type of steering	Articulated	Articulated
Steering method	Hydrostatic	Hydrostatic
Steering angle, angle of oscillation +/-	35°/12°	35°/12°

DRUM	80C	130C
Drum type	Smooth, undivided	Smooth, undivided
Drum width	1676 mm	2130 mm
Drum diameter	1215 mm	1500 mm
Drum shell thickness	20 mm	25 mm

DRIVING CHARACTERISTICS	80C	130C
Ground speed (1)	4.5 km/h	5 km/h
Ground speed (2)	6.5 km/h	6.5 km/h
Ground speed (3)	8.5 km/h	8 km/h
Ground speed (4)	11.5 km/h	11.3 km/h
Working speed with vibration	6.5 km/h	6.5 km/h
Max. gradeability without vibration	60 %	60 %
Max. gradeability with vibration	50 %	50 %

WEIGHTS	80C	130C
Operating mass CECE	7330 kg	13000 kg
Front axle load CECE	3750 kg	7000 kg
Rear axle load CECE	3580 kg	6000 kg
Front static line load CECE	21.9 kg/cm	31.9 kg/cm
Classification of vibrating compactors	VM2	VM3

SCRAPER	80C	130C
Scraper material	Steel	Steel
Scraper type	Rigid	Rigid

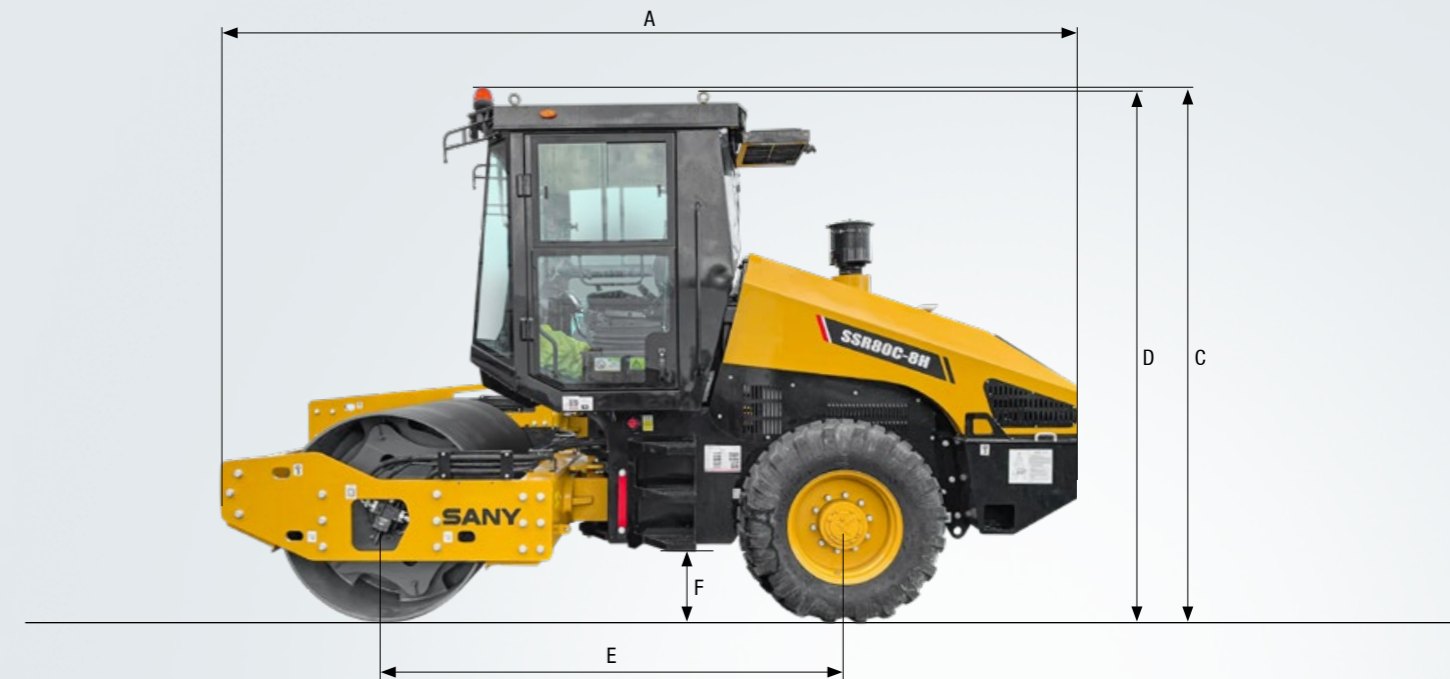
GROUND DRIVE	80C	130C
Drum drive	Axial piston motor with planetary gearbox	Axial piston motor with planetary gearbox
Wheel drive	Axial piston motor and axle with no-spin differential	Axial piston motor and axle with no-spin differential
Service brake	Hydrostatic	Hydrostatic
Parking brake	Spring-loaded multi-disc brake	Spring-loaded multi-disc brake

EXCITER SYSTEM	80C	130C
Frequency (1)	29.5 Hz	30 Hz
Frequency (2)	33.5 Hz	35 Hz
Amplitude (1)	1.9 mm	1.9 mm
Amplitude (2)	1.2 mm	1.2 mm
Centrifugal force (1)	132 kN	280 kN
Centrifugal force (2)	110 kN	180 kN
Exciter type	Circular oscillator	Circular oscillator

SERVICE CAPACITIES	80C	130C
Fuel tank	130 l	220 l
Hydraulic oil	65 l	80 l

HYDRAULIC SYSTEM	80C	130C
Drive pump	Axial piston pump	Axial piston pump
Drive pump manufacturer	Danfoss	Danfoss
Traction motor	Axial piston engine	Axial piston engine
Traction drive manufacturer	Danfoss	Danfoss
Vibration pump	Axial piston pump	Axial piston pump
Vibration motor	Axial piston engine	Axial piston engine
Steering pump	Eaton	Eaton

DIMENSIONS	80C	130C
A Transport length (transport position)	5160 mm	5775 mm
B Transport width	1830 mm	2285 mm
C Transport height	3050 mm	3080 mm
D Transport height	3050 mm	3080 mm
E Wheelbase	2675 mm	2950 mm
F Ground clearance	376 mm	450 mm
G Working width	1676 mm	2130 mm
Inner tyres turning radius	4875 mm	3613 mm



Many extras already included ex works

Many extras that make working safer and more convenient are already on board ex works. For example, the articulated joint lock, the scraper or tractor tyres (PDH). The bonnet and fuel tank cover are of course lockable.



OPERATING COMFORT/CAB

	80C	130C
ROPS-/FOPS cab	●	●
Multifunction control lever	●	●
Multifunction display	●	●
Seat with armrest and adjustable	●	●
12V socket	●	●
USB charging socket	●	●
Radio (Bluetooth)	●	●
Air conditioning*	●	●

SAFETY

	80C	130C
Direction indicator and hazard warning lights	●	●
Battery disconnection switch	●	●
Seat contact switch	●	●
Reversing alarm	●	●
Beacon lamp	●	●
Emergency stop switch	●	●
Reversing camera	●	●
Lockable hood	●	●
Lockable storage compartment	●	●
Articulated joint lock	●	●
Lockable fuel tank cover	●	●
Operating instructions in local language	●	●
Rotating beacon	●	●

LIGHTS

	80C	130C
Lights for road travel	●	●
Working lights (front)	●	●
Working lights (rear)	●	●

WORKING EQUIPMENT

	80C	130C
Scraper	●	●
Lashing eyes	●	●
Tractor tyres	●	●
Padfoot shells	●	●

Standard equipment ● Special option ●

The standard and special options differ depending on the country in which the crawler excavator is delivered. If you have any questions, please contact your dealer directly.
 * The air conditioner contains fluorinated greenhouse gases: Refrigerant type: HFC-134a, Global warming potential: 1 430, Quantity: 0.85 kg, CO₂e: 1.139 t

A SERVICE YOU CAN RELY ON

Just as we do with our excavators, we also demand high quality and reliability of our service products. This underlines our equipment's performance in terms of their durability and their excellent price-performance ratio. After all, maintenance is crucial

for efficiency, cost-effectiveness and safety. Your SANY dealer is happy to help you with a comprehensive range of services to ensure that your machine continues operating efficiently in the long term.

SANY – flexible, fast and always there for you

Rapid assistance, tailored advice and a reliable supply of original parts – that is what we mean by a premium service.



The added benefits SANY offers you:

- ✦ Fast supply thanks to the central warehouse near Cologne
- ✦ More than 15,000 spare parts to make your machine highly reliable
- ✦ Expert knowledge for optimal supply for your machine
- ✦ Thanks to SANY's special training programme, our dealers are always kept up-to-date so that they can face all technical challenges.

Parts supply – quick and reliable

With the purchase of a SANY single drum compactor you have made an investment in the future. Fast availability of spare parts is your guarantee of minimal downtimes and failure times.



Detailed information in black and white

Handbooks and documents are available for all SANY single drum compactors, and these can help you with operation, maintenance, servicing and repairs. These include operating and maintenance instructions and technical specifications.



SINGLE DRUM COMPACTORS FOR ALL REQUIREMENTS

Solid workmanship and sophisticated technology – SANY single drum compactors are completely in their element in tough day-to-day construction site applications. In civil engineering, road construction, gardening and landscaping, they tackle all compaction tasks and guarantee outstanding results. Durability, easy maintenance and low fuel consumption promise high economic efficiency and, together with the pleasantly low purchase price, exemplary life cycle costs.



ROBUST AND DURABLE

SANY single drum compactors show their strengths in the tough everyday applications of the construction site: **robust design, precise workmanship and high-quality materials** ensure that they can cope with even the toughest demands.

HIGH COMPACTION EFFICIENCY

Each type of ground and every compaction task requires a special approach. The **2-stage vibration system with adjustable frequencies** ensures optimum compaction results and eliminates the need for additional driving.

EXTREMELY COMFORTABLE

The **spacious cab and ergonomic controls** ensure fatigue-free and focused work, even during prolonged use. It goes without saying that the machine operator always has the best view of his working environment.

NO IFS OR BUTS

All SANY single drum compactors are equipped with a complete safety package. The **ROPS and FOPS certified cab** offers exemplary all-round visibility, even when reversing, thanks to the reversing camera. Seat contact switch, emergency stop switch, battery master switch and rotating warning light are also standard.

GOOD AS STANDARD

SANY single drum compactors rely on tried and tested components. **Yanmar and Deutz engines** provide powerful and fuel-efficient propulsion, while **drive axles from Dana Spicer** provide the necessary traction even on inclines.

ECONOMICALLY CONVINCING

Performance up, costs down - the tandem rollers from SANY know how to gain a real competitive edge. For example, with **low initial investment**, long maintenance intervals and low fuel consumption.

TECHNICAL HIGHLIGHTS SSR80C

Engine	Yanmar 4TNV98CT-VSY
Drum diameter	1 215 mm
Working speed with vibration	6.5 km/h
Steering angle, angle of oscillation +/-	35° / 12°
Drive pump	Axial piston pump

TECHNICAL HIGHLIGHTS SSR130C

Engine	Deutz TCD4.1 L4
Drum diameter	1 500 mm
Working speed with vibration	6.5 km/h
Steering angle, angle of oscillation +/-	35° / 12°
Drive pump	Axial piston pump

Not all products are available in all markets. As part of our continuous improvement process, we reserve the right to modify specifications and designs without giving prior notice. The figures may contain additional options.

SANY

Quality Changes the World

SANY EUROPE GmbH

Sany Allee 1
D-50181 Bedburg
fon +49 2272 90531 100
fax +49 2272 90531 109
info@sanyeurope.com
www.sanyeurope.com